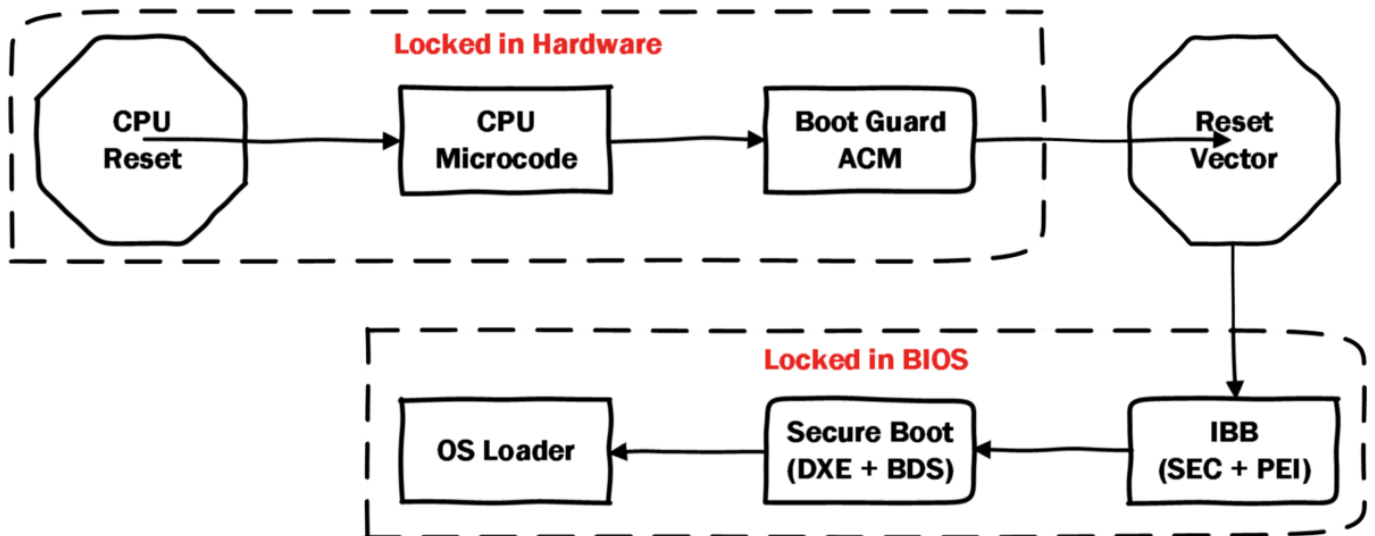


DOWNLOAD



[Process Guard 3.2 Download](#)



[Process Guard 3.2 Download](#)

DOWNLOAD



Process Guard 3.2 df3acf49e3

f6ffec74af2a22be4a39ed33e526fe9664dca9c2

2.21 MiB (2317258 Bytes)

df3acf49e3

[Adobe Photoshop CS5 v12.0.3 Lite Portable 64 bit](#)

[Avast! Pro AntivirusInternet SecurityPremier 17.5.3502.0 + Key .rar](#)

[Lennard Digital Sylenth1 v2.2.1 32bit Windows 8 full version](#)

[FULL packpal mp3 ringtone maker](#)

[AV4.Customer.Management.System.Professional.v5.11.04.Win98ME.Reg crack](#)

[Toad DBA Suite for Oracle 11.5 Commercial incl Keygen ZWT 64 bit](#)

[Macrorit Disk Partition Expert 2018 v5.3.2 Serial Key](#)

[WinZip PRO FINAL v15.5 + Serials \[ChattChitto RG\] download pc](#)

[\[X-Plane\] Boeing 787 Dreamliner + UFMC X737FMC 2.8 Serial Key keygen](#)

[Panda Cloud Antivirus Free Edition 1.0.01 Serial Key](#)